

BIAMP®

Tesira®

HD-1
HARDWARE DIALER
OPERATION MANUAL
OCTOBER 2015

585.0405.900

Tesira HD-1 Product Description



The Tesira HD-1 is a hardware dialer for Tesira server-class devices. The HD-1 is compatible with Tesira SERVER and SERVER-IO with STC-2 or SVC-2 cards installed, as well as TesiraFORTÉ TI, TesiraFORTÉ VI, TesiraFORTÉ AVB TI, and TesiraFORTÉ AVB VI devices.

Tesira HD-1 — это система набора номера для серверов Tesira. HD-1 совместима с серверами Tesira SERVER и SERVER-IO, при условии установки карт STC-2 или SVC-2, а также с устройствами TesiraFORTÉ TI, Tesira FORTÉ VI, TesiraFORTÉ AVB TI и TesiraFORTÉ AVB VI.

Tesira HD-1 Setup and Installation



Setup and Use

- | | |
|-----------------------|-------------------------|
| 1. Volume up and down | 9. Call appearance one |
| 2. Mute | 10. Call appearance two |
| 3. LCD display | 11. Hold |
| 4. Context buttons | 12. Off hook |
| 5. Scroll up and down | 13. On hook |
| 6. Select | 14. Last number redial |
| 7. Numeric keypad | 15. Speed dial |
| 8. Conference | 16. Flash |

The Tesira software provides an intuitive interface for setup and programming of the HD-1. The information supplied by this manual relates to physical connections and device setup. For more details on software setup, please consult the Tesira Help File.

One HD-1 can be associated to a single VoIP or POTS telephone line available on a Tesira system. This provides all standard telephony functions, including dialing, the ability to answer and make calls, mute, conference and redial.

Installation

Install the unit away from heat sources, such as vents and radiators, and in rooms with adequate ventilation. Ensure that air can circulate freely behind, beside, and above the unit. Do not exceed the maximum ambient operating temperature of 32°-113° F (0° - 42°C).

Default Network configuration.

The HD-1 by default uses a Link local (Auto) IP address. This allows the device to receive its network configuration from a DHCP server. This enables the HD-1 to be discovered by a Tesira SERVER-IO, SERVER or TesiraFORTÉ device that also has default IP settings. The default HD-1 hostname is "HD-1-" followed by its serial number. The network settings and Hostname can be edited and assigned via Device Maintenance in the Tesira software.

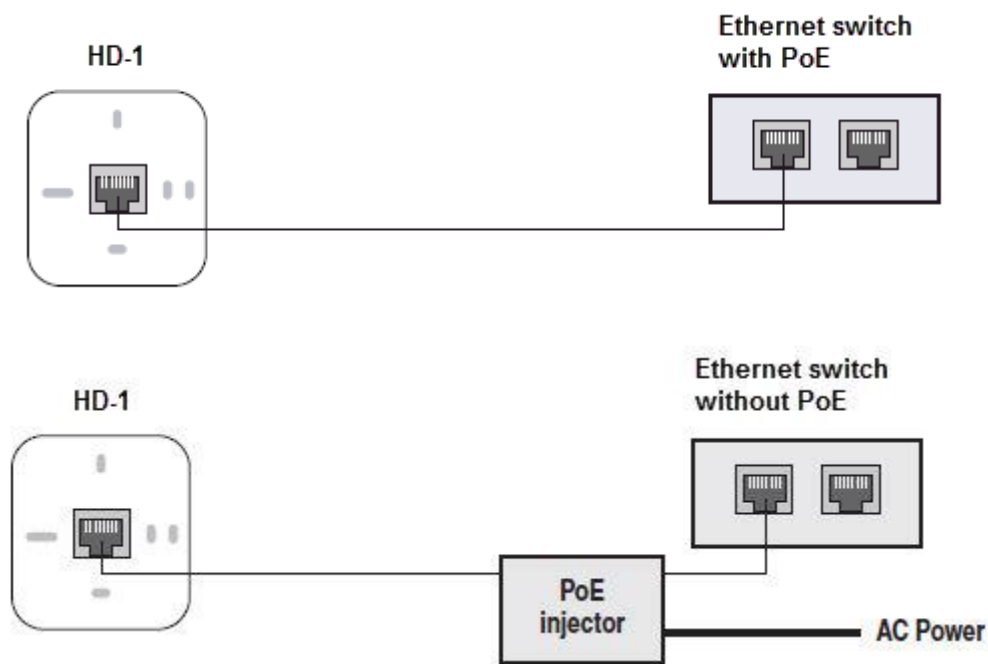
Tesira software Version 2.4 or later provides programming of all remote functions, network setup, device naming, and device maintenance.

Rear Connector

One Ethernet port is provided for connecting the HD-1 to the network. The Network connector should be wired using shielded CAT5, 5e, 6 or 7 cabling to interface to a Tesira system.

This connection is made to the Ethernet port of a Tesira SERVER-IO, SERVER or TesiraFORTÉ device, either directly (single station) or via a network switch, and carries control data over Ethernet.

PoE-enabled network switches or PoE midspan adapters must be used to power the unit. These must be 802.3at Type 1 compliant. The maximum cable distance between any unit and an Ethernet switch is 328 feet (100 meters) when using copper cabling. Additional Ethernet switches and/or fiber-optic cable can be used to further extend distances between units on a network.



Visit www.biamp.com to obtain firmware and software updates related to this product. To speak with an Applications Engineer, please call 1.503.641.7287 or email support@biamp.com.

Tesira HD-1 Specifications

Specification Table

<p>Connection: RJ45 with shielded Ethernet cable (CAT5, 5e, 6 or 7)</p> <p>Power: PoE: PoE 802.3at Type 1 Class 1 (3.84 Watt)</p> <p>Cable Length Up to 328ft (100m)</p> <p>Overall Dimensions:</p> <p style="margin-left: 20px;">Height: 1.57 inches (40 mm) Width: 5.7 inches (145 mm) Depth: 5.7 inches (145 mm) Weight: Approx. 0.9lbs. (0.4kg)</p>	<p>Environment:</p> <p style="margin-left: 40px;">Ambient Operating Temperature 32-108°F (0-42°C)</p> <p style="margin-left: 40px;">Humidity 0 - 95%</p> <p style="margin-left: 40px;">Altitude 0 - 10000 Feet MSL (0 - 3000 Meters MSL)</p> <p>Compliance:</p> <p style="margin-left: 40px;">UL and C-UL (USA and Canada) FCC Part 15B (USA) CE Marked* (Europe) RCM (Australia) EAC (Eurasian Customs Union) RoHS Directive (Europe) KCC (Korea)</p>
---	--

Product Specifications

<p>Control Programming Tesira Design Software</p> <p>Compatible With</p> <p style="margin-left: 40px;">Tesira SERVER * Tesira SERVER-IO * TesiraFORTÉ TI TesiraFORTÉ VI TesiraFORTÉ AVB TI TesiraFORTÉ AVB VI</p> <p>* with STC-1 or SVC-1 card installed</p>	<p>Display 2.7 inch (69mm) LCD</p> <p>Buttons</p> <table style="margin-left: 40px;"> <tr> <td>Standard dial pad</td> <td style="text-align: right;">12</td> </tr> <tr> <td>Navigation buttons</td> <td style="text-align: right;">4</td> </tr> <tr> <td>Dedicated buttons</td> <td style="text-align: right;">12</td> </tr> <tr> <td style="text-align: right;">Total</td> <td style="text-align: right;">29</td> </tr> </table>	Standard dial pad	12	Navigation buttons	4	Dedicated buttons	12	Total	29
Standard dial pad	12								
Navigation buttons	4								
Dedicated buttons	12								
Total	29								

The Tesira HD-1 does not connect with TNV circuitry and is considered a Network Environment Zero device